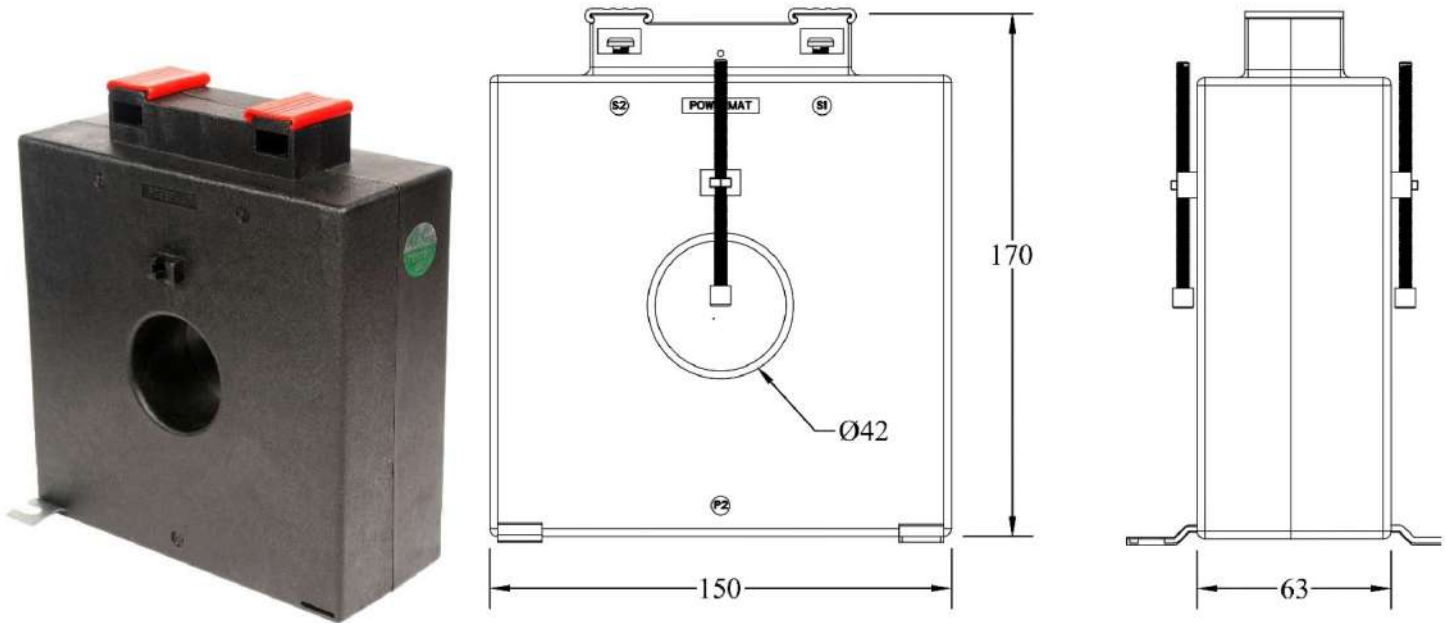


Protections CTs-Encapsulated Resin Cast CTs -Round ID-42 SERIES

POWERMAT provide a wide range of Protection Current Transformers Encapsulated Resin Cast Type designed for precision and reliability. Protective Current Transformers are designed to accurately measure and transform high primary currents into standardized secondary currents for use in protection relays and monitoring devices. **They play a vital role** in safeguarding electrical systems by enabling precise and reliable detection of faults, including overloads and short circuits.



Series Name Nomenclature (PRT-XXXX - YYZ - 42)

Where XXXX refers to Primary Ampere to Secondary Ampere (e.g 200 A primary , 5 A secondary becomes 205 . 200 Ampere Primary , 1A Secondary become 201 and so on.

Where YY used to designates Burden (VA) as per Table.

Where Z used to Designates Accuracy Class as per Table.

POWERMAT PRT -42 SERIES		
PRIMARY CURRENT RATIO	ACCURACY	
	5P5	5P10
150/5	5 VA	5 VA
200/5	10 VA	10 VA
250/5	10 VA	10 VA
300/5	15 VA	10 VA
400/5	15 VA	10 VA
600/5	15 VA	10 VA

Note: Secondary 1A is available.

Customization is also available as per requirement.

- All Dimensions are in mm only.
- Tolerance is applicable as per DIN Standard 2768