

‘DLX’ THERMOSTAT

For Panel Boards & Switchgear Industries

(DLX, DLX-LB, DLX-L, DLX-LT, DLX-LS Model)

WORKING PRINCIPLE & FEATURES: ‘GIRISHEGO’ thermostats are ideal for temperature control of space heaters used in LT & HT switchgear & panel boards etc.

PRINCIPLE OF OPERATION: With temp rise, the principle of differential expansion of brass tube and a Nickel/Iron (inver) Rod is used to actuate a highly accurate snap action micro gap switch, located in the head which makes it keep the temperature constant within the differential i.e. a single pole, single throw, normally closed circuit breaks (opens) on rise of temperature.

CONSTRUCTION: The micro gap switch assembly is mounted on a heat resistant base, with rigid brass pillar terminals. Heavy duty Ag cdo contacts are provided for long trouble free life. A thermoplastic cover with clear and precise graduations is provided along with a setting knob. Optional bracket with two fixing oval holes of Dia. 5 x 8mm at a center distance of 58mm can be provided. Thermostat can be fixed in any position. These are available in standard stem lengths of 7"(175mm)

INTENDED USE: Temperature control of space heaters used in LT & HT switchgear & panel boards etc.

INSTALLATION: A spring steel clip is provided for snap on fixing of Thermostat, Optional bracket with two fixing holes of Dia. 5mm at a center distance of 58mm can be provided. It can be fixed in any position.

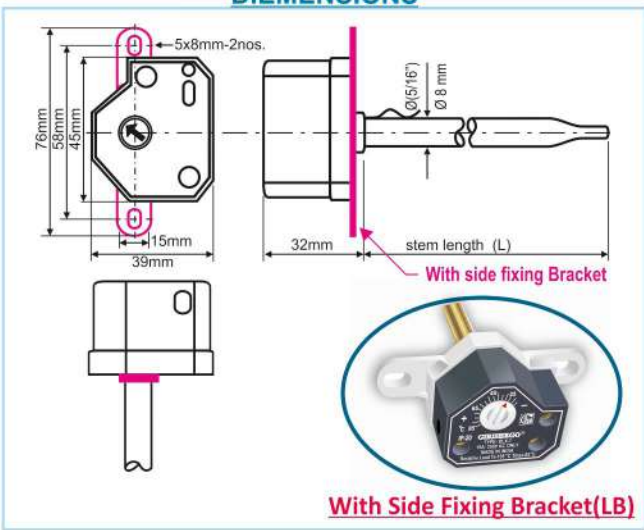
ALSO AVAILABLE:

- 1) 48V, 110V & 415 V AC,
- 2) Stem length of 11" (275mm) & 5" (125mm).

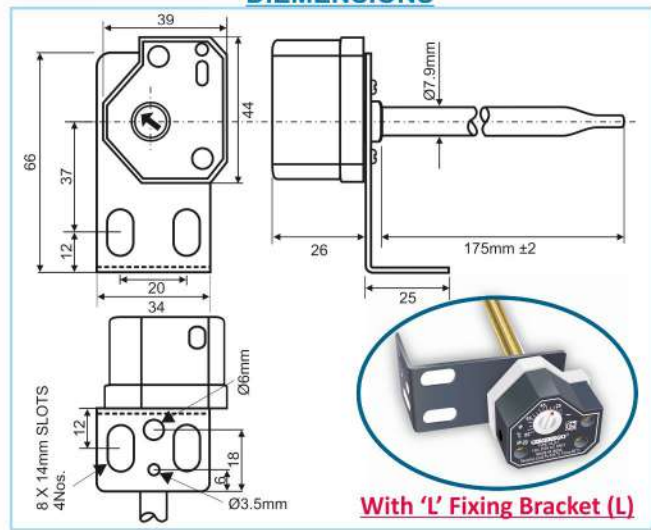
2 KV.
HIGH VOLTAGE
TESTED



DIEMENSIONS



DIEMENSIONS



TECHNICAL DATA:

Contact Rating	: 250V AC - 15 Amps Max.
Contact Type	: Single Pole Single Throw (SPST)
Function	: Breaks On Temp. Rise, Make On Temp. Fall.
Temp. Range	: 25-85°C, 25-90°C, 25-125°C
Differential	: 3-10C or 5% of the Temperature Range
Material	: Brass, Invar, Nylon, PP, MS
Stem Length	: 175mm (7"), 275mm(11"),
On Request	: 100mm(4"), 125mm (5")
Stem Dia	: 7.9mm (5/16")
Adjustment	: Control Knob
Connections	: Pillar Terminals
Mounting	: Spring Steel Clip Or Bracket With Two Fixing Holes / 'L' type Bracket
Max. Head Temp.	: T85
Dielectric Strength	: 2KV
Approvals	: ISI, (On select models)

DLX Model Thermostat 15Amp-250V AC

Model No.	Stem Length(L).	Temp. Range	Standard Packing
DLX-7	175mm	15-85°C	100 Nos
DLX-7-60	175mm	0-60°C	100 Nos
DLX-7-90	175mm	20-90°C	100 Nos
DLX-7-125	175mm	25-125°C	100 Nos
DLX-4	100mm	20-80°C	100 Nos
DLX-5	125mm	20-80°C	100 Nos
DLX-11	275mm	30-85°C	100 Nos
DLX-11-125	275mm	70-125°C	100 Nos

For bracket type, add at end of model no.

- LB : for side fixing bracket
- L : for 'L' type fixing bracket
- LT : for 'L' fixing bracket on Top side*
- LS : for small 'L' type bracket*
- *Contact us for details