

BOX TYPE SPACE HEATERS

For Panel Boards & Switchgear Industries

(BOX)

- *Bigger surface area for heat dissipation in Aluminum enclosure*
- *Quick and uniform heating*
- *Withstands mechanical shock and vibration*
- *Very good insulation resistance*



'GIRISHEGO' Range of Space Heaters are ideal for prevention of condensation, corrosion. Leakage currents in L.T. & H.T. Switchgear panel boards / electronic instruments & panels etc.

WORKING PRINCIPLE & FEATURES: A specially developed design incorporates a high Quality mica insulated heating element in Aluminum enclosure. A 2 x 2.5 mm² terminal block is provided for electrical connection.

Each heater is tested for following specific tests:

- 1) High Voltage Test At 2Kv/1Min
- 2) Insulation Resistance > 10 Mega Ohms.
- 3) Power Rating within ± 5%.

INTENDED USE: Prevention of condensation, corrosion, Leakage currents in L.T. & H.T. Switchgear panel boards / electronic instruments & panels etc.

INSTALLATION: For mounting, two 8mmX17mm oval holes at each end at 180mm center distance are provided. Two screws of M-6 size or Equivalent can be use for installation. Installation can be done in vertical or horizontal position although horizontal mounting is preferred. Distance from surface of panel should be at least 10mm

and distance from plastic parts should be at least 50mm. Connection wire must be on the side or below to avoid warming up of the wire.

REMARK: It is recommended to use a 'GIRISHEGO' thermostat to control the heater.

Box type Space Heater (BOX-)



BOX TYPE SPACE HEATERS

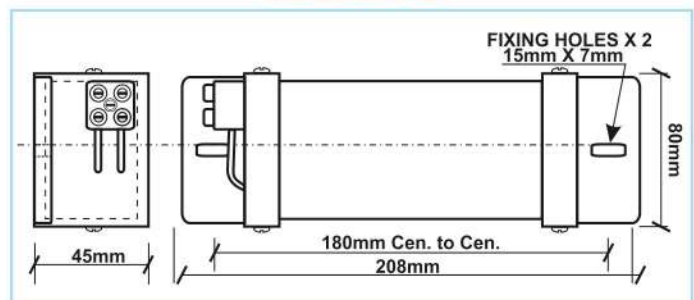
TECHNICAL DATA:

Heating Element	: Invariable Resistor (Mica insulated Heating Element)
Heating Body	: Anodised Aluminum enclosure with Thermostat moulded brackets
Operating Voltages	: 240Volts AC (also available in 48v,110v,230v AC)
Available Wattages	: 40Watts To 100Watts
Tolerance on Watts	: ±5% Max @ Rated Voltage
Di-electric Strength	: 2KV for 1 minute
Insulation Resistance	: >10 M ohms
Connections	: 2 Way Porcelain Connector
Terminals	: Suitable for SWG 12 (2.5 Sqr.mm) wires
Protection Type	: IP20
Storage Temp.	: -20 to 100°C

Also Available: With Aluminum side covers



DIEMENSIONS



BOX TYPE SPACE HEATERS

Type No.	Watts (At 240V AC)	Total Length(L)	Fixing holes Cen-to-Cen	Standard Packing
BOX-40	40W	208mm	180mm	25 Nos.
BOX-60	60W	208mm	180mm	25 Nos.
BOX-80	80W	208mm	180mm	25 Nos.
BOX-100	100W	208mm	180mm	25 Nos.

Also Available in 48V, 110V & 230V